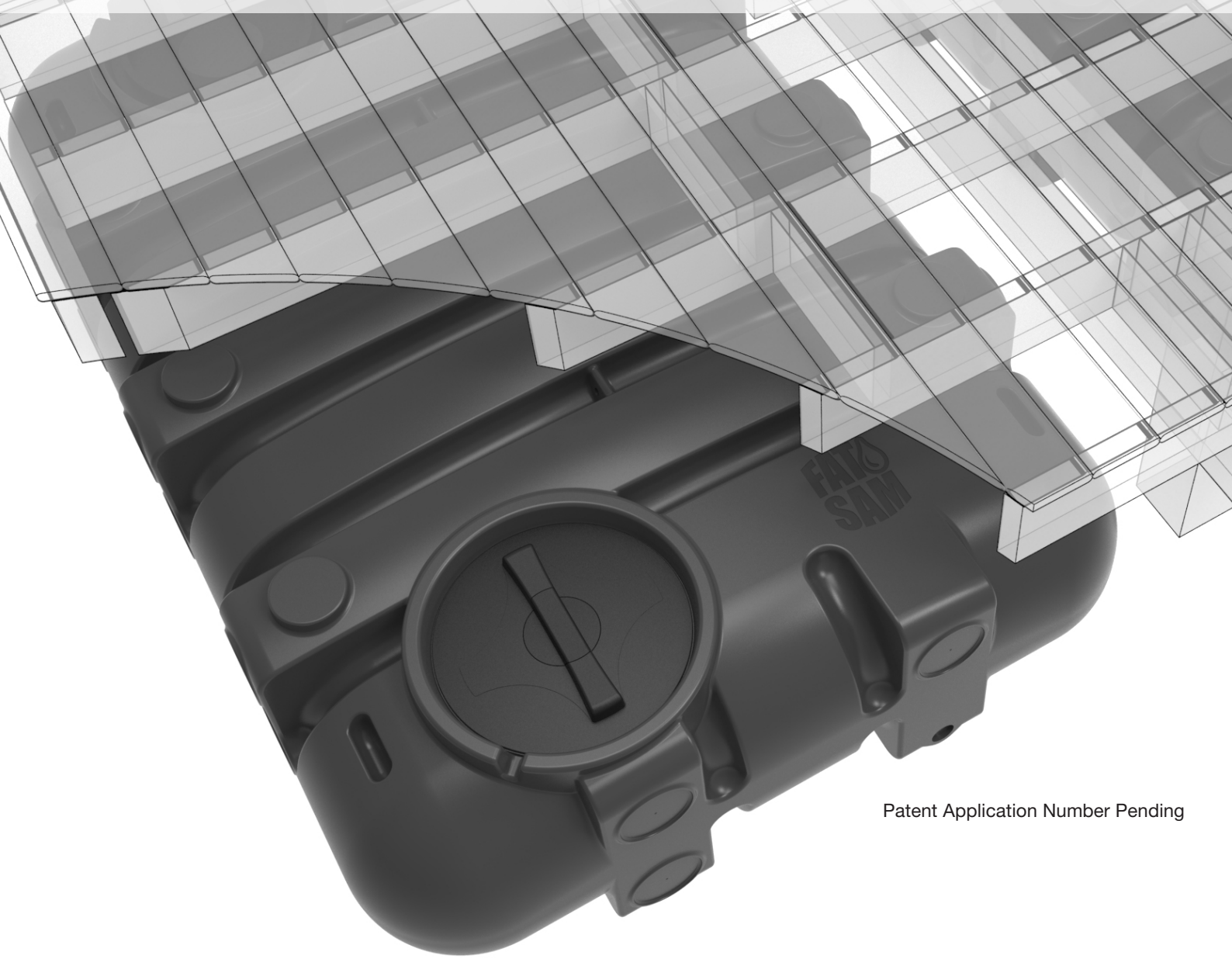


**NEW**

**BAILEY UNDER DECK WATER TANKS**

**WATER STORAGE  
THATS OUT OF SIGHT**

**FAT  
SAM<sup>®</sup>**



Patent Application Number Pending

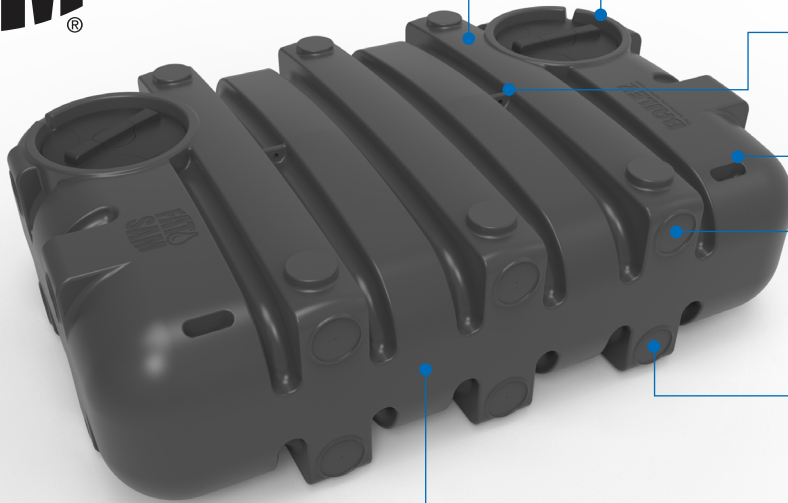


[www.tanks.co.nz](http://www.tanks.co.nz)

**BAILEY<sup>®</sup>**

The number one name in water

FS.072020



- Low profile design**  
Perfect for under decks
- Lightweight**  
Only 75kg (1500L) or 85kg (2000L)
- Lifting points (x2)**  
If lifting into place is required
- Hand grips (x8)**  
For easily handling onsite
- Inlets & overflows**  
Multiple inlet and overflow positions
- Outlets**  
Multiple outlet positions for connecting multiple tanks
- Recyclable**  
Easily recycled at end of life

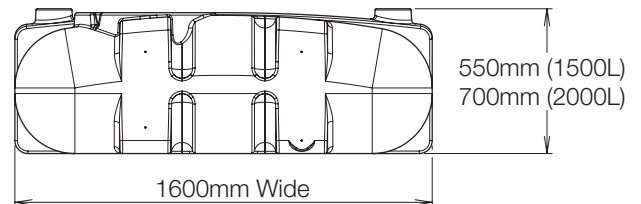
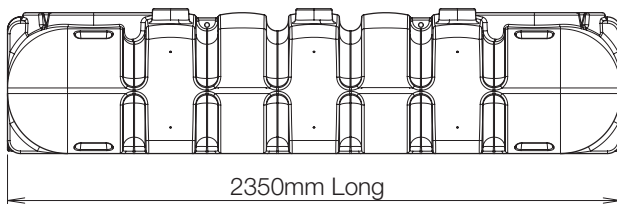


**FAT SAM's** patent pending design is the ultimate out of sight urban water storage tank. Suitable for new builds or retrofitted under existing decks FAT SAM is the ideal solution when outdoor space is at a premium. FAT SAM can be fitted with a submersible pump to provide water to outside taps, toilets and washing machines.

**Stormwater retention** From conception FAT SAM has been designed to make light work of council requirements for stormwater retention. Multiple downpipe inlet and overflow positions are available on both the sides and ends of FAT SAM allowing easy installation and connection of reduced flow orifices. Multiple FAT SAM's can be easily linked together where greater capacity is required.

For more information call us on 0800 861 333.

### FAT SAM Dimensions



### FAT SAM Range

Bailey Code	Capacity	Length	Width	Height	Outlet Size	Lid Size	Weight
BTFS1500	1,500L	2350mm	1600mm	550mm	50mm	400mm (x2)	75kg
BTFS2000	2,000L	2350mm	1600mm	700mm	50mm	400mm (x2)	85kg

#### Auckland Factory

Address: 36 Ash Road, Wiri, Auckland  
 Postal Address: Private Bag 94026, Manukau,  
 Auckland, New Zealand  
 Phone: (09) 262 7070  
 Facsimile: (09) 262 7071  
 Freephone: 0800 861 333

#### Christchurch Factory

Address: 52 Hickory Place, Hornby, Christchurch  
 Postal Address: PO Box 16310, Hornby,  
 Christchurch, New Zealand  
 Phone: (03) 344 1260  
 Facsimile: (03) 344 1261  
 Freephone: 0800 344 126

